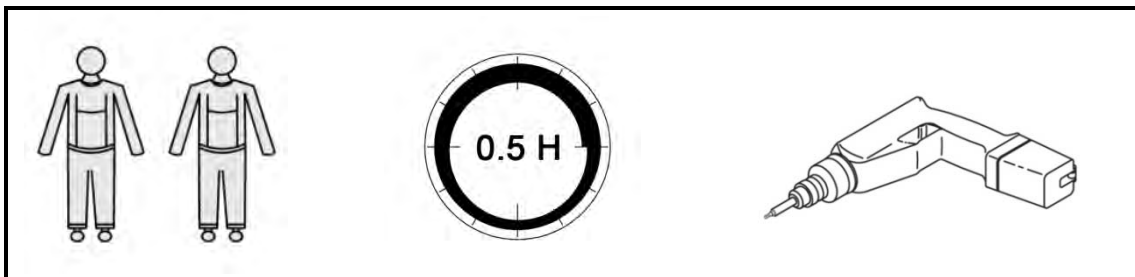
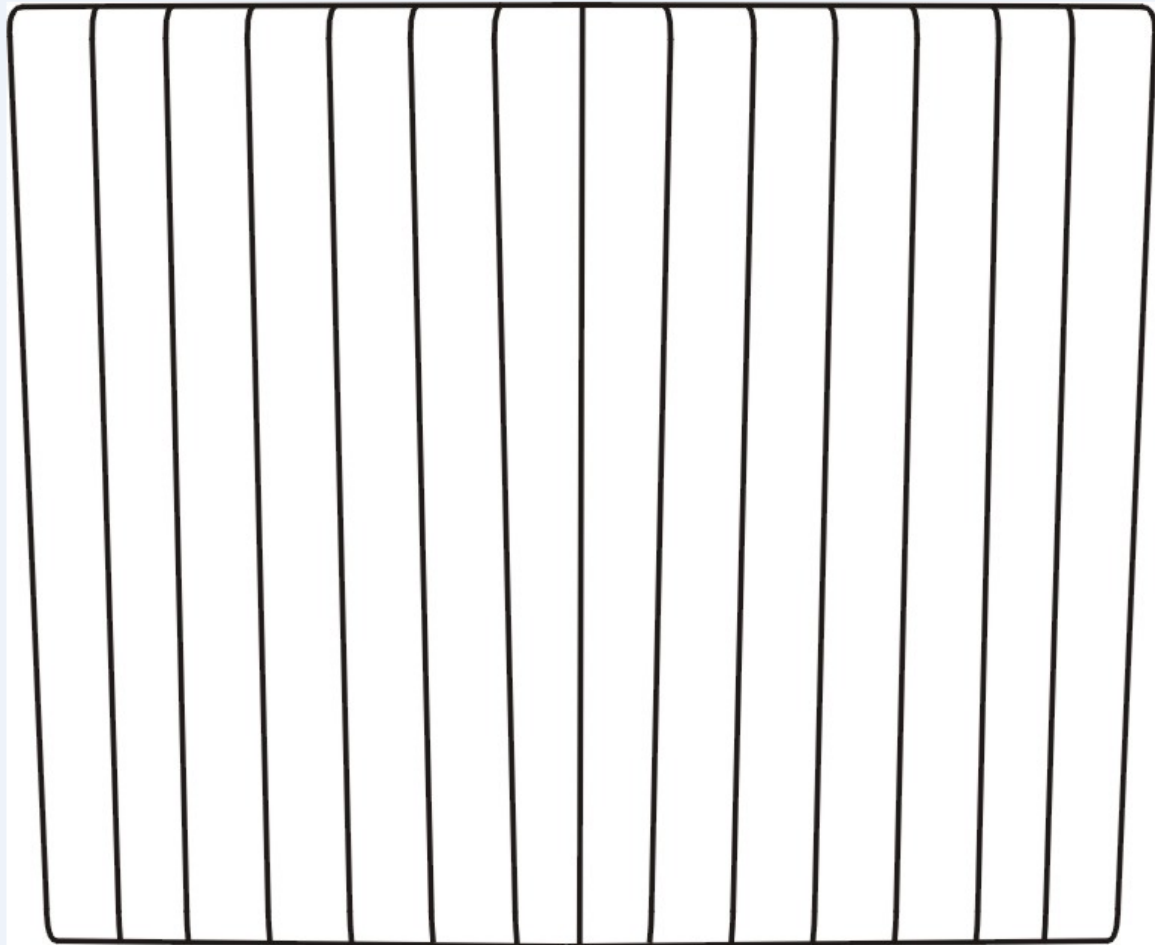


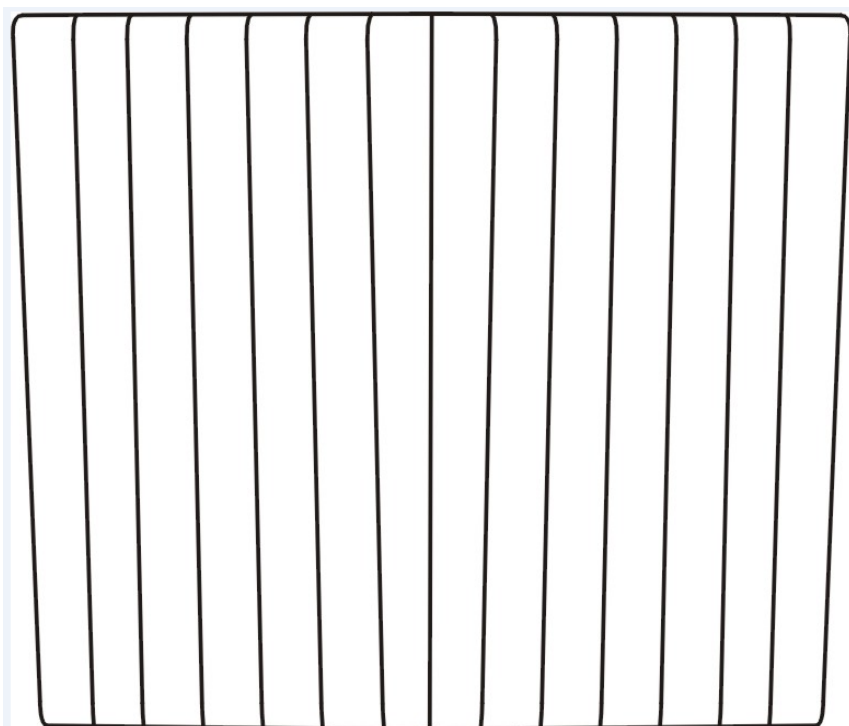
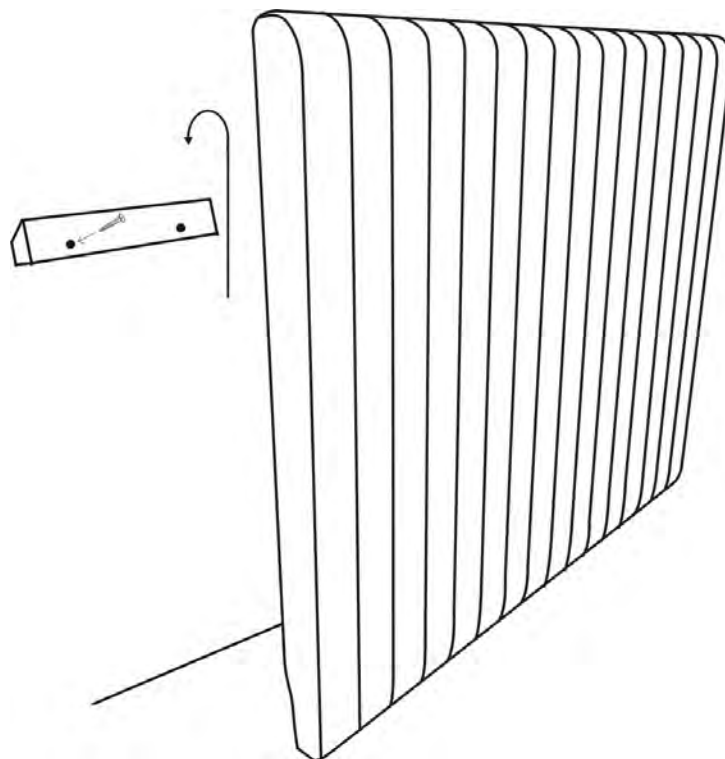
adairs

Kensington



adairs

Kensington



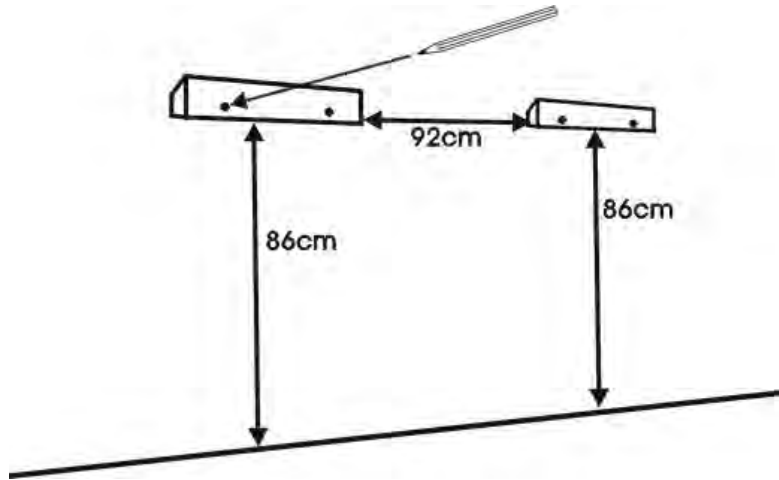
— 1 (x1)



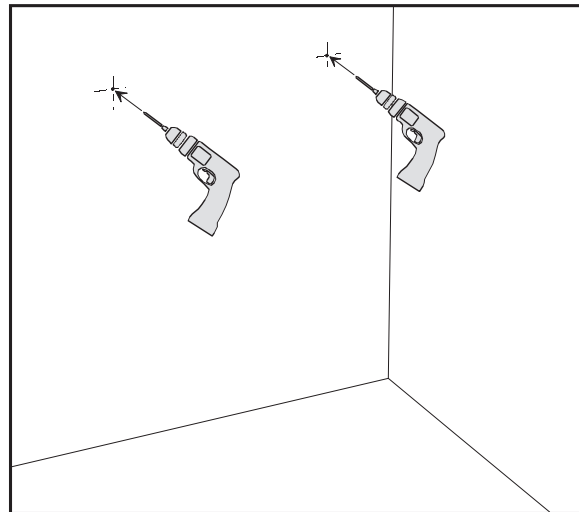
— 2 (x1)

adairs

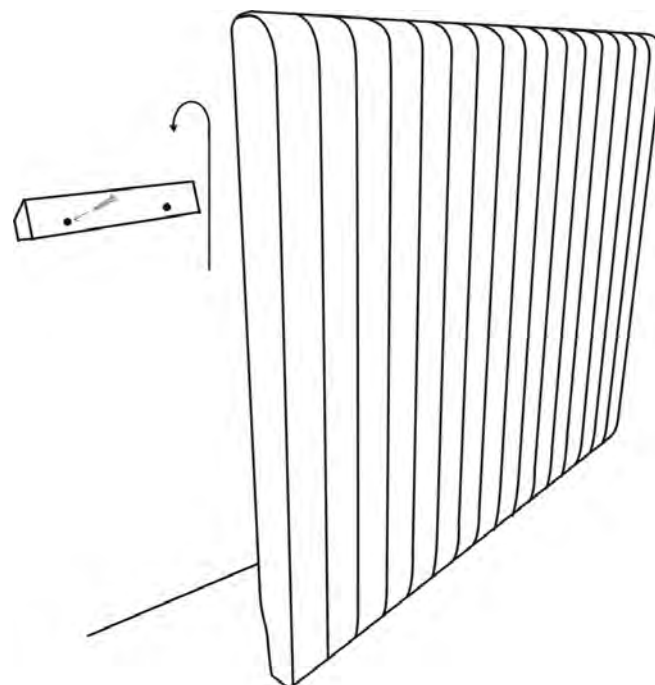
Kensington



1



2



3